

**EXHAUST STACK**

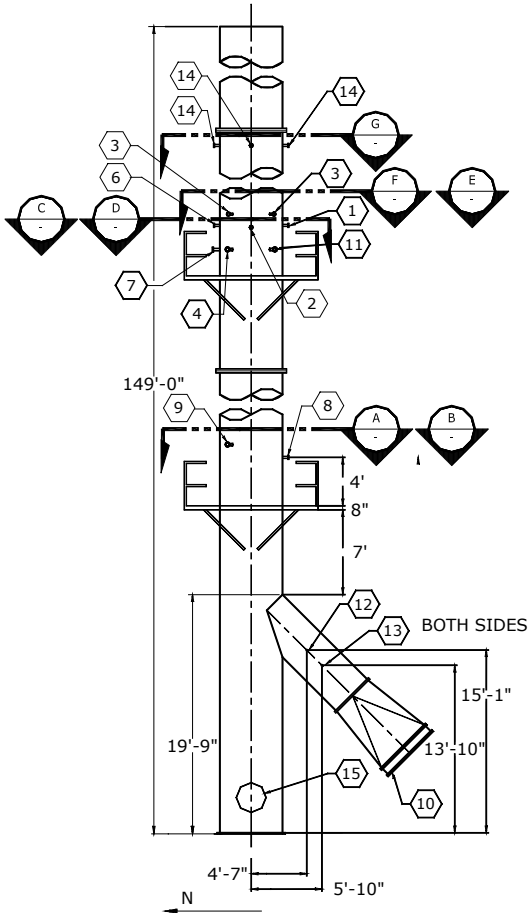
**SP-800-M-100**

**Rev. 1**

**08/01/00**

**Page 1 of 2**

Service: Exhaust Filtered and Scrubbed Incinerator Flue Gases  
 Size: 60" I.D. x 149' high



**Operating and Mechanical**

Design Pressure: -30 "W.C. to +12" W.C.  
 Temperature: max 205 °F, max sustained 184 °F  
 Process Gas will be water saturated

**Materials of Construction**

Derakane 510A with 7.5% Byacol APE-1540 flame retardant additive. Corrosion liner of Derakane 411-45

**Nozzles**

Service	Size	Ft above grade	Mark
Annubar, S side	1@ 3" Dia	61'-3"	1
Test Ports	2@ 4" Dia	61'-3"	2
Test Ports	4@ 4" Dia	62'-2"	3
CEM	1@ 4" Dia	59'-3"	4
CEM	1@ 4" Dia	61'-6"	5
Annubar, N side	1@ 3" Dia	61'-3"	6
Temperature	1@ 3" Dia	59'-3"	7
Static Pressure	1@ 4" Dia	31'-0"	8
Not used	2@ 4" Dia	32'-2"	9
Inlet	1@ 2' 7" x 7' 8"	6'7"	10
Test Port	1@ 4" Dia	59'-3"	11
Not used	1@ 2" Dia	15'1"	12
W side, not used	1@ 2" Dia	13'10"	13
E side, local Temp	1@ 2" Dia	13'10"	13
Test Ports	4 @4" Dia	64'-5"	14
Man Hole	1@ 24" Dia	3'- 1/2"	15

**Remarks**

1. Slope bottom towards drain

EXHAUST STACK

SP-800-M-100

Rev. 1

08/01/00

Page 2 of 2

